

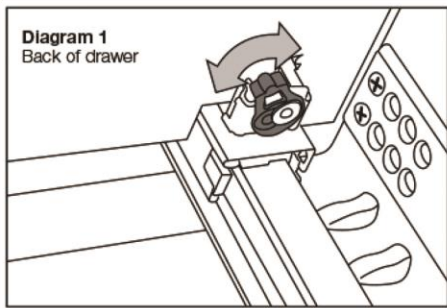
# Miseno Custom Cabinetry Hinge Adjustment Guide



**MISENO**  
— CUSTOM CABINETRY —

Please email [service@misenocabinetry.com](mailto:service@misenocabinetry.com)  
or call (855) 402-8453  
if you have any questions regarding seasonal adjustment.

[www.misenocabinetry.com](http://www.misenocabinetry.com)



# Overlay Hinge And Drawer Adjustment

Overlay cabinets are built using Blum integrated soft-close concealed cup hinges. These premium hinges are adjustable to allow you to fine tune your cabinets as they settle in your home and change with the seasons.

You will also need to adjust the drawers seasonally.

## Adjusting The Undermount Glides:

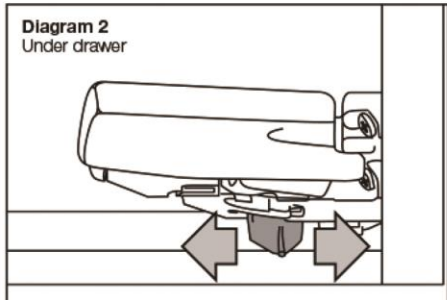


Diagram 1 depicts a cam at the back of your drawer which can be rotated back and forth. This will tilt the back of the drawer up and down, thereby adjusting how flat the drawer front will sit on the face frame of the cabinet.

Diagram 2 depicts a sliding tab under the drawer box which will allow you to make vertical adjustments to the drawer front. This adjustment is very slight, but allows you to fine tune the pitch of the drawer front and make your drawer front sit plumb with the face frame. The lever is very sensitive and allows you to make minute adjustments.

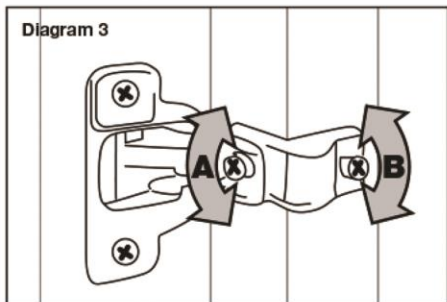


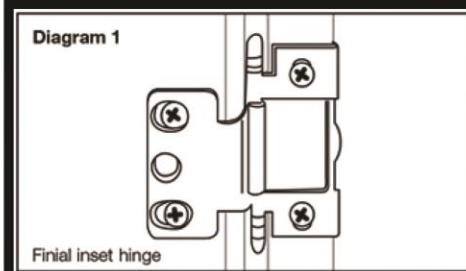
Diagram 3 depicts your Blum hinge. There are two adjustments which will allow you to fine tune the overlay of your doors.

Screw A (the screw on the outside of the face frame) moves that corner of the door left and right, to bring the doors straight with one another.

Screw B (the screw on the inside of the face frame) moves that corner of the door forward and backwards (towards or away from the wall), and allows you to keep the door flat to the face of the cabinet.

Please email [service@misenocabinetry.com](mailto:service@misenocabinetry.com)  
or call (855) 402-8453  
if you have any questions regarding seasonal adjustment.

[www.misenocabinetry.com](http://www.misenocabinetry.com)



## Inset Hinge Adjustment

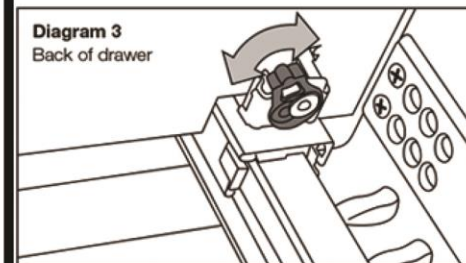
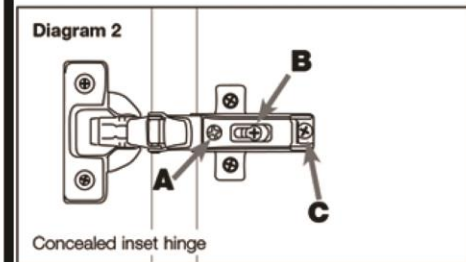
Inset cabinetry is built with tight reveals. During shipping and installation, the doors and drawers may move from their original positions. To maintain the spaces between the door and cabinet, you will need to adjust your inset hinges seasonally as temperature changes.

### For Doors With Finial Hinges:

After the cabinets are installed, square the doors to the door opening using a phillips screwdriver to adjust the hinges. See [Diagram 1](#) for the four screws you will need to adjust.

### For Doors With Concealed Hinges:

To adjust concealed hinges, see [Diagram 2](#). Turn Screw A to move the door left and right within the opening. Turn Screw B to move the door up and down within the opening. Turn Screw C to move the door towards or away from the back wall of the cabinet. Please be aware, the movements will be small.



## Drawer Adjustment

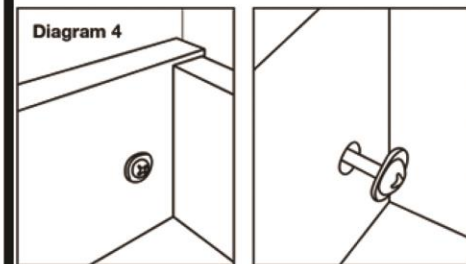
Much like with your doors, your drawer headers will require seasonal adjustment. There are three points of adjustment.

### Adjusting The Undermount Glides:

See [Diagram 3](#). There is a cam at the back of the drawer which can be rotated back and forth. This will tilt the back of the drawer up and down, thereby adjusting how the drawer front will sit within the frame of the cabinet.

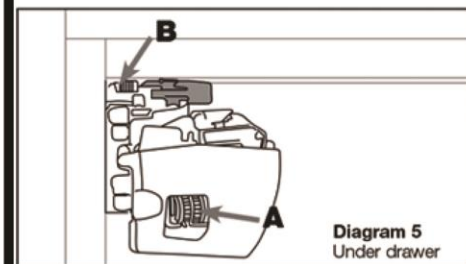
### Adjusting The Drawer Front Screws:

See [Diagram 4](#). The screws which attach your drawer front to the drawer box can be adjusted. The screw holes are oversized to allow vertical and horizontal adjustment. You will not need to remove the drawers to adjust them.



### Adjusting The Drawer Glide Mechanism

See [Diagram 5](#). The orange and grey colored mechanism under the drawer box has two adjustment points. Rotating the small light gray wheel (Point A) will move the drawer header left and right within the opening. Pushing and pulling the gray tab (Point B) will move the drawer header up and down within the opening.



Please email [service@misenocabinetry.com](mailto:service@misenocabinetry.com)  
or call (855) 402-8453  
if you have any questions regarding seasonal adjustment.

[www.misenocabinetry.com](http://www.misenocabinetry.com)